

PC Polarization Controller

Product General Description

With precision mechanism, **FIBERPRO**'s polarization controller(PC) provides smooth and convenient control of the state of polarization. It is carefully designed for the easiest installation. The flip-up covers and convenient fiber holders at both sides make you feel the different quality. Polarization controllers for 3mm jacked fiber are also available. Both 3 and 2-loop configurations are available at each wavelength. These components are essential to fiber optic experiments.



Applications

Basic tool for fiber optic experiments.

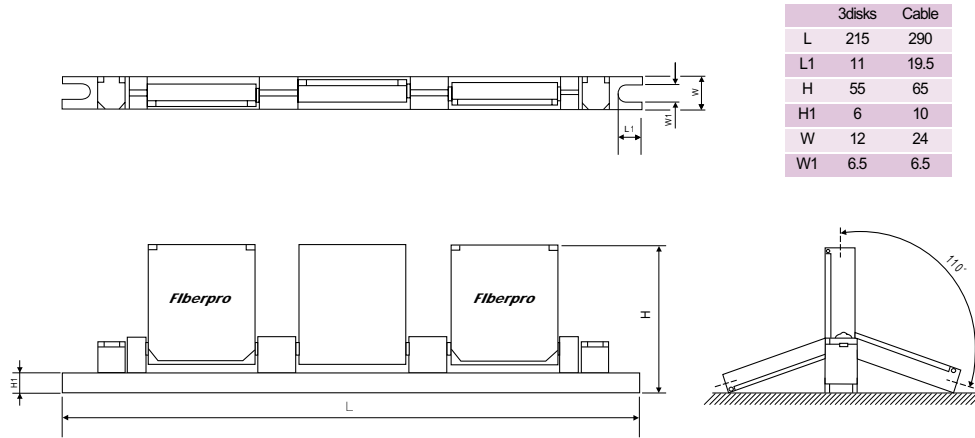
- Fiber lasers
- Fiber optic interferometers
- Optical communication
- Fiber optic sensors

Specifications

- Wavelengths
633 nm, 830 nm, 1300 nm, 1550 nm
- Negligible loss
- Compact size
- Custom made PC is available

The specification and technical information contained herein are subject to change without notice and are furnished without charge or obligation. They are given and accepted at recipients sole risks.

Dimensions



Ordering Code

PC for 3mm buffered fiber

PC1000-(1)

① wavelength → 1310/1550nm (1315), 830nm(083), 630nm (063)

PC for 250um bare fiber or 900um buffered fiber

PC1001-(1)-(2)

① wavelength → 1310/1550nm (1315), 830nm(083), 630nm (063)

② fiber type → A(250um), B(900um)

Example : PC1001-1315-B

→ Polarization Controller operating at 1300nm & 1550nm for 900um buffered fiber